

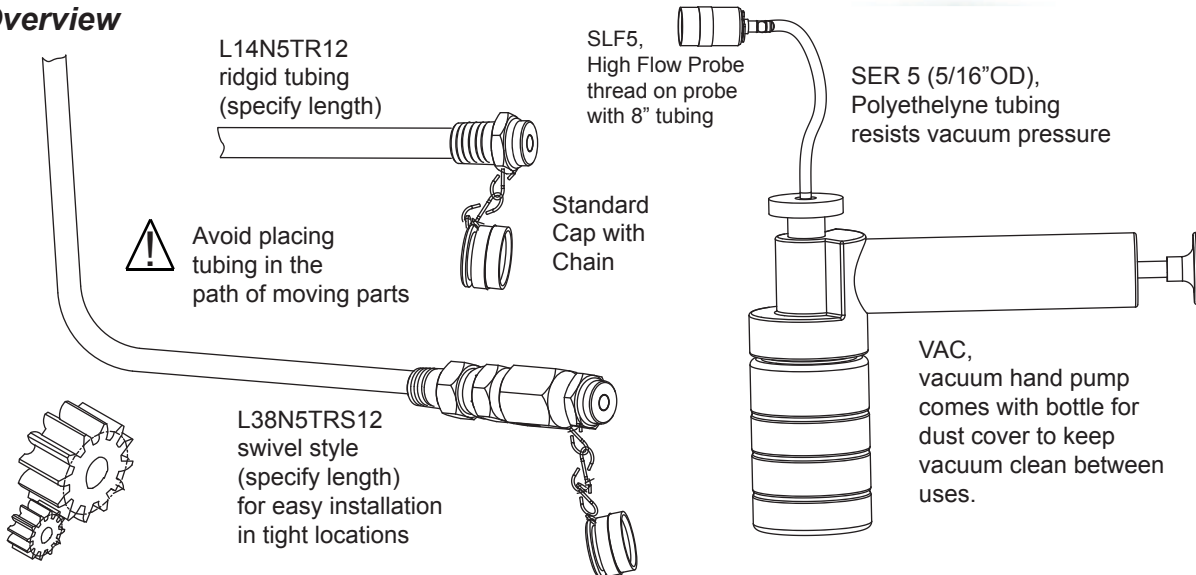
# LT Low Temperature

**High Flow Sampling valve for low or unpressurized systems use with heavy viscosity oil**

- Consistently & precisely samples oil, VG 32 to VG1000 without shutting down.
- Installs quickly without tools
- Sample higher viscosities at temperatures below 100°F / 40°C
- Used best for vertical mount applications with minimum purge required
- Avoid accuracy errors of drain or drop tube sampling caused by sedimented or settled oil
- Installs compactly into drain, fill or custom ports of gearboxes, reservoirs, drives, axles or lines
- Flexible tubing provides full flow with low purge time



## Overview



### Steel Sampling Valves

| Part#      | Description                   |
|------------|-------------------------------|
| L14N5T12   | High flow 1/4" NPT 12" Rigid  |
| L14N5T18   | High flow 1/4" NPT 18" Rigid  |
| L14N5T24   | High flow 1/4" NPT 24" Rigid  |
| L38N5TRS12 | High flow 3/8" NPT 12" Swivel |
| L38N5TS18  | High flow 3/8" NPT 18" Swivel |
| L38N5TS24  | High flow 3/8" NPT 24" Swivel |

\*Viton seals standard. Others on request. Custom lengths are available. See Port adapters for other threads.

### Accessories

| Part# | Description                    |
|-------|--------------------------------|
| SLF5  | Thread on probe 5/16" OD       |
| SLF4  | Thread on probe 1/4" OD        |
| SER5  | Polyethylene tubing (5/16" OD) |
| SER4  | Polyethylene tubing (1/4" OD)  |
| VAC   | Vacuum with bottle             |
| LC    | Sample bottle with cap         |



sales@checkfluid.com  
www.checkfluid.com

**Checkfluid Inc.**  
Toll Free: 866-652-8728  
Fax: 519-652-0392