

# L Series Sampling Instructions



## Pre Sample

- 1) Run the equipment to operating temperatures (approx 30 minutes)
- 2) Record all data and identification on forms & attach labels to bottle
- 3) Cut the tubing to length and re-bag to keep the tubing clean

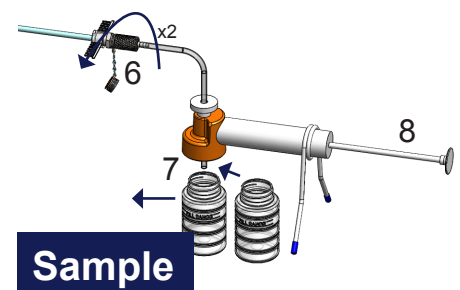
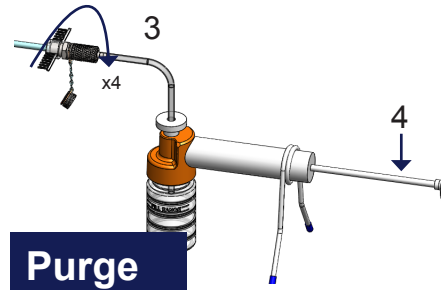
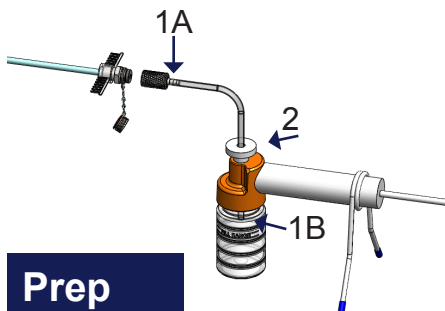
**Use caution in the vicinity of operating equipment. Use gloves and eye protection. Skin contact or inhalation can cause irritations**

## Vacuum Pump Sampling Method

- 1) Insert tube end into the probe barb and insert the other end at least 25 mm (1") below the head of the vacuum pump and bottle
- 2) Tighten knob snug around the tubing

- 3) Thread probe to valve
- 4) Pull back on the handle to draw the purge sample
- 5) Purge volumes vary according to length and diameter (see below)

- 6) Unthread the probe, 2 turns only, this will close the valve
- 7) Remove purge bottle and thread on a new clean sample bottle
- 8) Repeat above steps 3 & 4 to take sample



## Sample Completion

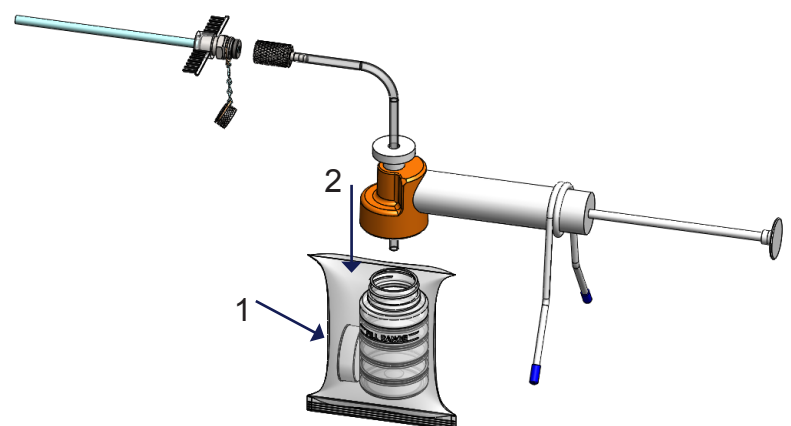
- For best results, **send the sample to the lab immediately**
- Avoid storing near heat or light
- Dispose of purge oil and consumables responsibly

### Quick Purge Rule:

Purge approximately 60 ml (2 oz) or 1/2 of a standard sample bottle for every 120 mm or 12" of sampling tube length to ensure sample integrity. Fluid stays forever in the sample tube until purged.

## Sampling Tips

- 1) Keep the cap clean in a zip bag while sampling



- 2) Keep the sample clean on a windy day by threading a zip bagged bottle onto the pump