



A New Option For Sampling Final Drives

The LEM Option

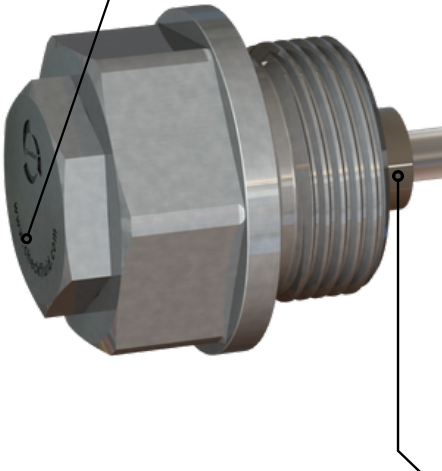
Combines safe venting, magnetic checking, and oil sampling into a single compact drain plug



SAFETY FIRST

Checking the oil level, or topping up could create a safety risk of hot oil and air spraying out a regular plug. Activating the L Valve allows safe venting before removing the plug. Thus avoiding hot oil spray when opening the drive

Hex (shown) or Slotted Cap Styles available

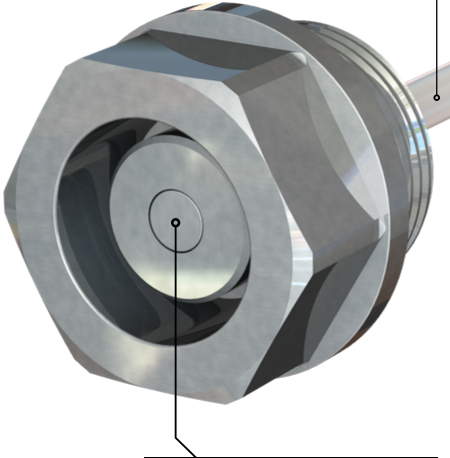


HIGH STRENGTH MAGNET

The magnet on the plug provides an on-the-spot ferrous debris check to quickly determine the presence of iron or steel particles in the oil.

High Strength Magnet

Sampling Tube



Embedded L Valve

HIGH FLOW SAMPLING VALVE

The LEM comes with the built-in High Flow L Sampling Valve to ensure easy, clean, fast, and accurate oil samples for confident reporting.