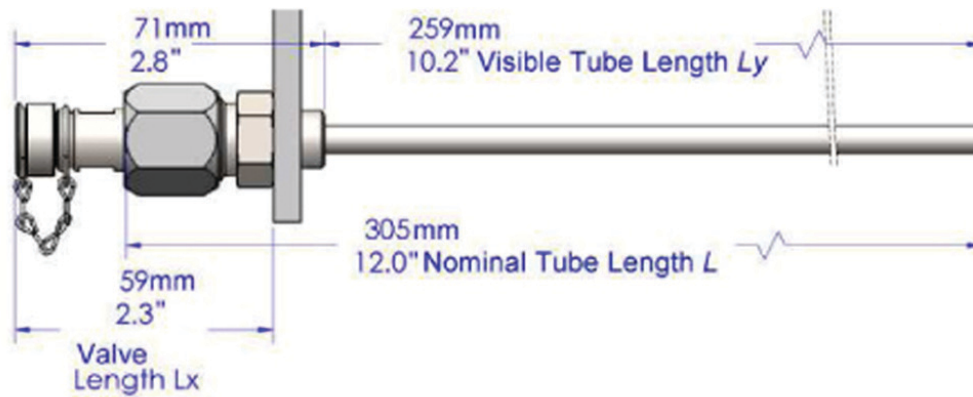


# Tube Dimension of LTJ Valves



For visible (inside) tube length:

Subtract approximately 2.5" (6.35 cm) from nominal length

e.g. nominal length 12" = 9.5" visible length (30.5 nominal length = 24.1 cm visible length)

Part #	Nominal Tube Length L	Visible Tube Length Ly	Valve Extends Out Lx
L16GDTRS12	12.0" (30.48 cm)	9.7" (24.64 cm)	2.9" (7.4 cm)
L12GDTRS12	12.0" (30.48 cm)	9.9" (25.12 cm)	2.7" (6.86 cm)
L2215MTRS12	12.0" (30.48 cm)	10.0" (25.4 cm)	2.4" (6.01 cm)
L1815MTRS12			
L1615MTRS12			
L1415MTRS12			
L1215MBTRS12			
L1215MBRTRS12			
L1215MTRS12			
L8JFSRTRS12			
L8JFSTRS12			
L8NTRS12			
L4GDTRS12	12.0" (30.48 cm)	10.0" (25.4 cm)	2.5" (6.35 cm)
L6GDTRS12			
L8GDTRS12			
L16UTRS12	12.0" (30.48 cm)	10.2" (25.91 cm)	2.3" (5.84 cm)
L12UTRS12			
L10UTRS12			
L6UTRS12			
L16GCTRS12			
L12GCTRS12			
L8GCTRS12			
L6GCTRS12			
L4GCTRS12			
L8JFS(R)TRS18	18.0" (45.72 cm)	16.0" (40.64 cm)	2.4" (6.01 cm)
L8JFS(R)TRS24	24.0" (60.96 cm)	22.0" (55.88 cm)	2.4" (6.01 cm)