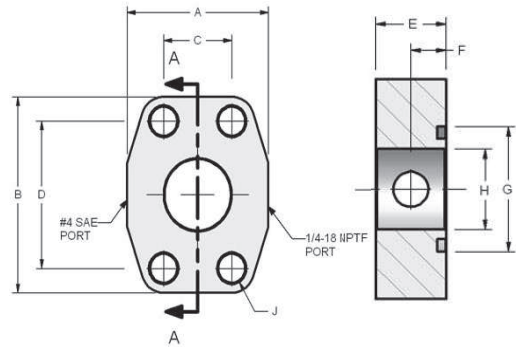
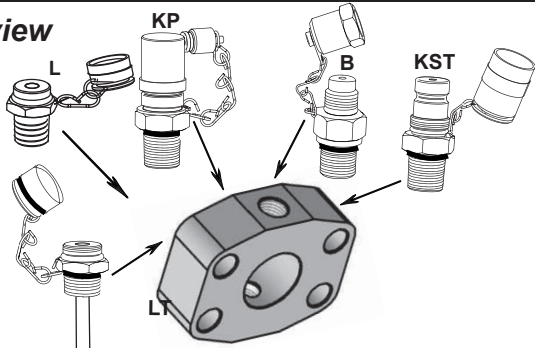


Spacer Flange

-Use a spacer flange to add a sampling valve to the inlet or outlet of a SAE Code 61 or 62 series flange.



Overview



Spacer Flange Technical Specifications (Inches)

Part #	Description (Four Bolt Flange)	A	B	C	D	E	F	G	H	J	Pressure (psi)	Bolt Torque (lb-in)
F61-8	1/2" SAE Code 61	1.82	2.16	.688	1.500	1.25	.62	1.000	.502	.344	5000	175-225
F61-12	3/4" SAE Code 61	2.06	2.69	.875	1.875	1.25	.62	1.250	.752	.406	5000	250-350
F61-16	1" SAE Code 61	2.31	2.75	1.031	2.062	.88	.44	1.560	1.002	.406	5000	325-425
F61-20	1-1/4" SAE Code 61	2.87	3.12	1.188	2.312	.94	.47	1.750	1.252	.469	4000	425-550
F61-24	1-1/2" Code 61	3.25	3.68	1.406	2.750	1.19	.59	2.115	1.502	.531	3000	550-700
F61-32	2" Code 61	3.81	4.00	1.688	3.062	1.38	.69	2.490	2.002	.531	3000	650-800
F61-40	2-1/2" Code 61	4.28	4.50	2.000	3.500	1.75	.88	2.995	2.502	.531	2500	950-1100
F62-8	1/2" Code 62	1.94	2.30	.718	1.594	1.25	.62	1.000	.502	.344	**	**
F62-12	3/4" Code 62	2.50	2.95	.937	2.000	1.25	.62	1.250	.752	.406	6000	300-400
F62-16	1" Code 62	2.75	3.19	1.093	2.250	1.50	.75	1.560	1.002	.492	6000	500-600
F62-20	1-1/4" Code 62	3.06	3.75	1.250	2.625	1.50	.75	1.750	1.252	.531	6000	750-900
F62-24	1-1/2" Code 62	3.75	4.44	1.437	3.125	1.75	.88	2.115	1.502	.656	6000	1400-1600
F62-32	2" Code 62	4.50	5.25	1.750	3.812	1.75	.88	2.490	2.002	.781	6000	2400-2600
F62-40	2-1/2" Code 62	5.87	6.87	2.312	4.875	2.06	1.03	2.995	2.502	.906	**	**

O-Rings Valve

Part #	Desc.	Part #
210	1/2" NBR	-4 ORB
214	3/4" NBR	KP7/16
219	1" NBR	KST7/16U-C
222	1 1/4" NBR	B716U
225	1 1/2" NBR	
228	2" NBR	-4 NPTF
232	2 1/2" NBR	KP14N-C
210	1/2" NBR	KST14N-C
214	3/4" NBR	B14N-C
219	1" NBR	L14N-C
222	1 1/4" NBR	L14NT-12
225	1 1/2" NBR	
228	2" NBR	
232	2 1/2" NBR	



How to Order

- Step 1: Measure outside diameter of the tubing. (Column H)
- Step 2: From the dimension chart; select the size, code (Column A) and port material.
- Step 3: Select the corresponding o-ring (order separately)
- Step 4: Select valve and options.



* When determining bolt hardware (not available) add flange width listed in column E. Reference SAE

** Contact Checkfluid for more information



sales@checkfluid.com
www.checkfluid.com

Checkfluid Inc.
Toll Free: 866-652-8728
Fax: 519-652-0392