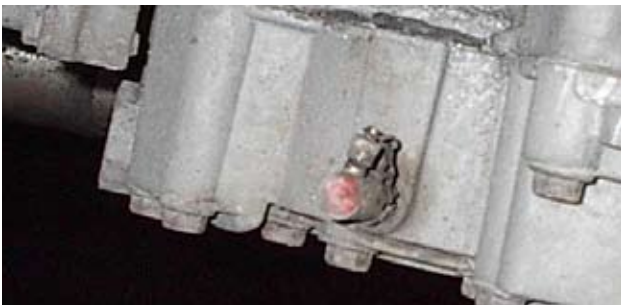


# Transmission Sampling

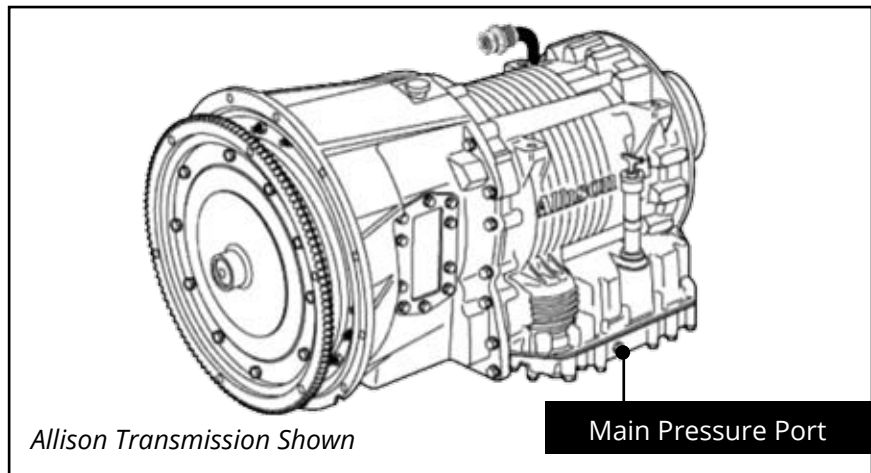
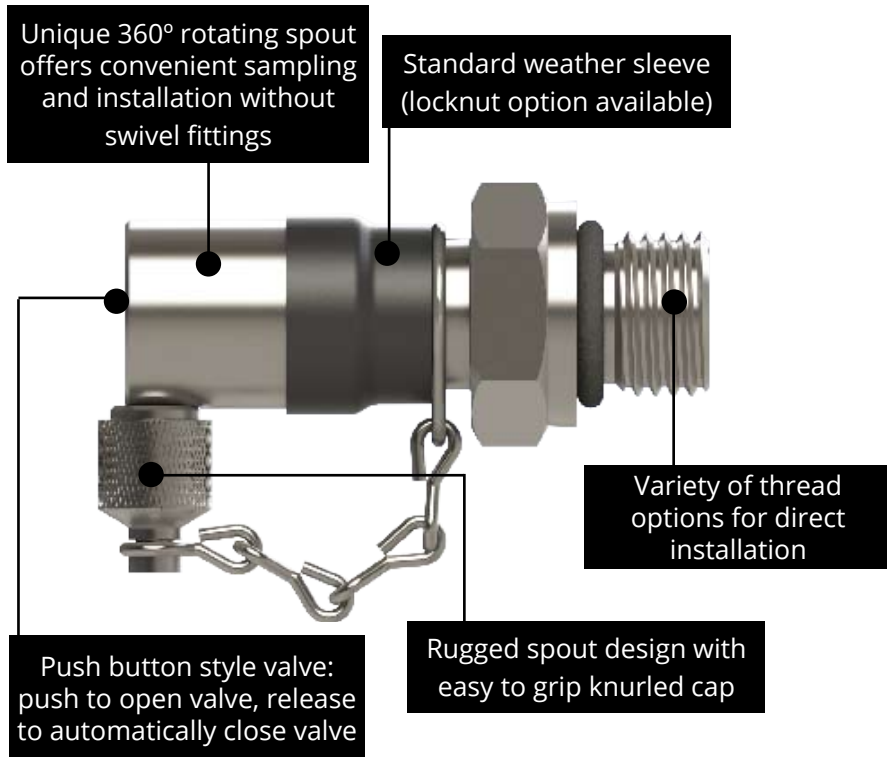
- Take active, data-rich samples that are more representative of the transmission's condition
- Reduce sampling time to under a minute
- Save money and resources by avoiding unnecessary scheduled maintenance, use condition-based monitoring.

## KP Benefits

- **No probes needed**
- Low purge volume
- Patented elastomeric vacuum tight seals
- Automatic valve shut off
- **Remote access available**
- Reliable: dual sealed design independently tested at 7800 psi for one million cycles
- **Sampling range of 5 - 750 psi (0.03 - 5.17 MPa)**



The most common install location for transmissions is the main pressure port. If the port is not directly accessible we will recommend a remote access solution which uses a hose assembly to extend from the port to a location it can be mounted. **Contact Checkfluid for more information on remote access solutions.**



Transmission Make	Frequently Used KP Kit or Part #	Description
<b>Allison</b>	KP716UV	KP Pushbutton Valve, 7/16" ORB Thread
<b>Voith</b>	KP1215MB	KP Pushbutton Valve, M12x1.5 with Bonded Washer
<b>ZF-Ecolife</b>	KP101MB9	KP Pushbutton Valve, M10x1, Steel, 90 Degree

Other thread sizes, and types available  
 Valves available in Carbon Steel, Stainless Steel and Stainless Steel Externals

